

## NEWSLETTER May 2009

### **DM (T,V) ZK Series improved**

After receiving feedback from the market, and having conducted internal tests, we are pleased to inform about the following changes in the product specifications of our DMZK series in straight and angled version.

#### **1. Cable clamp and mounting screws change.**

Screws have been improved by reducing the screws from TX10 to TX8. This has a positive influence on the strength of the screws, and offers a larger margin on the max applied torque of 100-120 Ncm. The screws are hardened and thread forming.

#### **2. Grommet base material change.**

With the new base material we offer the cable better stress and relief properties. The material meets the required standards. Specifications as below:

Nominal 40 shore D thermoplastic polyester

Tensile stress (break) 10.00 MPa

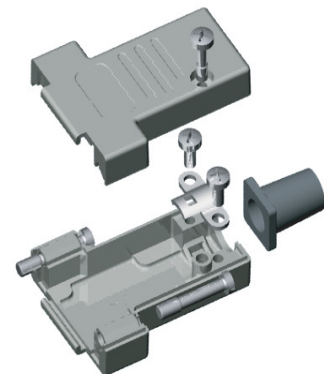
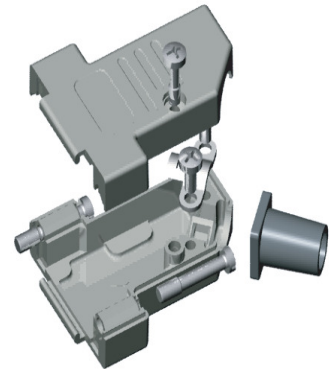
Tensile strain (break) 500%

Electric strength 14 kV/mm

RoHS compliance

Halogen free

V-0 at 1,5 mm in all colours



Changing of the screws will be effective from today, base material change for the grommets will take place within the next deliveries.

For further information please contact R & D manager René Kok at +45 5476 0543 or [Rene.Kok@ossi.dk](mailto:Rene.Kok@ossi.dk)

Best regards

Ossi Connectors A/S