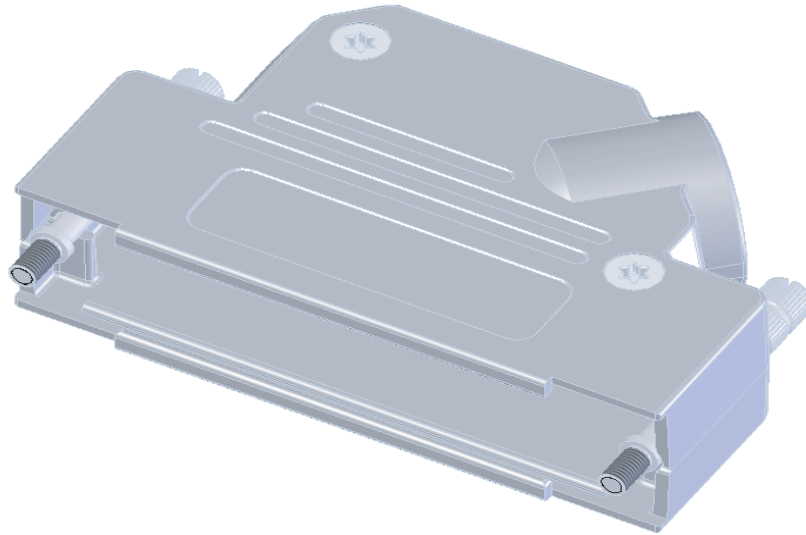


EMI/RFI shielded 50-way Sub-D backshell



DVZK Series

Ossi Connectors product portfolio has expanded with this unique Sub-D backshell for 50-way connector. Delivered with long jackscrews, cable bracket for cable 10 - 17 mm, 45 degree cable outlet and only 2 assembly-screws. This in combination with excellent mechanical and EMI/RFI performance provide the perfect solution for an optimized cable harness.

Partnumber for this product is:

- DVZK50-K (kitpacked, single)
- DVZK50-BULK (bulkpacked, 100 pcs)

Contact us for samples and further documentation.

Features

- Zinc die-cast backshell
- 45 degree cable outlet
- Cable diameter 10 - 17 mm
- UNC4-40 jackscrews provided as standard, M2.5, M2.6 or M3.0 as option
- Approved according to VDE 0871, FCC 20780 and 89/336/EEC
- Comply to RoHS 2002/95/EEC and WEEE 2002/96/EEC
- Attenuation better than 40 dB between 30 MHz and 1 GHz
- Printed logotype available upon request