

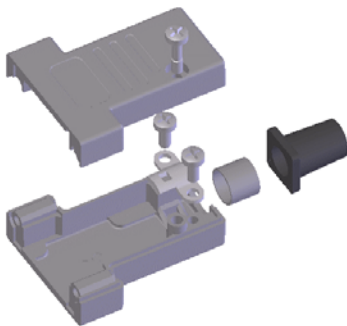


NEWSLETTER 03:2004

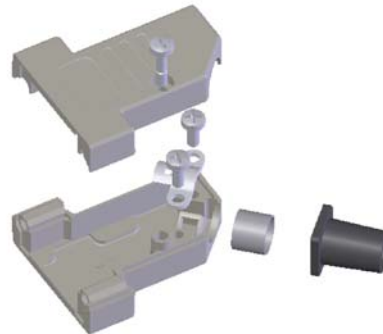
DMTZK-SL and DMVZK-SL Series

Ossi Connectors product portfolio has expanded with two series of EMI/RFI-shielded Sub-D backshells. These hoods are equipped with integrated UNC4-40 threads and available with a wide range of accessories. Excellent shielding performance, cable outlet 180° or 45° and easy to assemble.

DMTZK-SL



DMVZK-SL



Benefits include:

- *Excellent shielding performance, 60 dB between 300 MHz and 900 MHz*
- *180° or 45° cable outlet for restricted cable space applications*
- *Meets UL94 V-0 requirements*
- *Temperature range of -60°C to 250°C*
- *Integrated UNC4-40 threads for slidelocks or panel assembly*
- *Wide range of accessories available*

Visit www.ossi.dk for datasheet, drawing and assembly instructions

Contacts:
Ossi Connectors A/S
Box 125
DK-4930 Maribo
Denmark

Tel: +45 54 78 28 88
Fax: +45 54 78 33 40
E-mail: info@ossi.dk
Internet: www.ossi.dk