

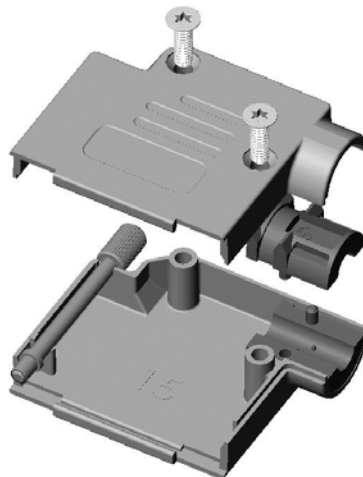


NEWSLETTER 02:2005

NEW PLATING

Ossi Connectors has released new environment friendly plating for EMI/RFI-shielded Sub-D backshells die-casted in zinc. This plating is part of our environment program to develop new products that are recyclable and not hazardous to the environment. The major advantage is the removal of nickel from the plating process and the benefit is the elimination of allergic reactions caused by nickel allergy.

OSSI Backshell with new plating



Benefits include:

- *Excellent EMI/RFI shielding and mechanical performance*
- *All Zinc die-cast backshells from Ossi Connectors available with new plating*
- *Unique plating – nickel removed to eliminate risk of allergic reactions*
- *No hazardous material that causes damage to the environment*
- *Comply to RoHS 2002/95/EC and WEEE 2002/96/EC*

Please contact Ossi Connectors for more information about this unique plating.

Contacts:

Ossi Connectors A/S
Box 125
DK-4930 Maribo
Denmark

Tel: +45 54 78 28 88
Fax: +45 54 78 33 40
E-mail: info@ossi.dk
Internet: www.ossi.dk